

Lesson 9.0 Review of Concepts

Name _____ Period _____

Simplify the expression.

1. $\sqrt{189}$
5. $\frac{12}{\sqrt{3}}$

2. $\sqrt{500}$

3. $\sqrt{252}$

4. $\sqrt{338}$

6. $\frac{4}{\sqrt{3}}$

7. $\frac{11}{\sqrt{5}}$

8. $\frac{8}{\sqrt{2}}$

Solve the proportion.

9. $\frac{4}{x} = \frac{7}{56}$
13. $\frac{9}{3x-15} = \frac{3}{12}$

10. $\frac{x}{21} = \frac{2}{7}$

11. $\frac{x}{5} = \frac{9}{4}$

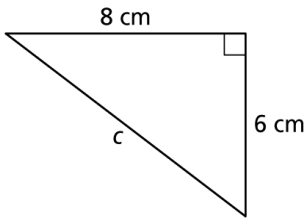
12. $\frac{3}{x} = \frac{14}{42}$

14. $\frac{20}{27} = \frac{6}{x}$

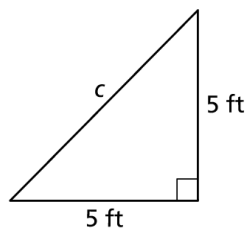
15. $\frac{x-4}{5} = \frac{10}{9}$

16. $\frac{15}{5x+25} = \frac{3}{9}$

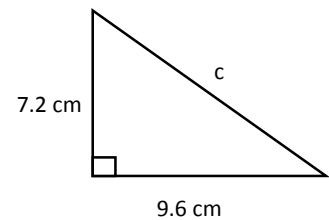
Find the missing side length of the triangle.

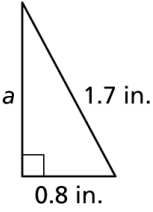
17. 

18.

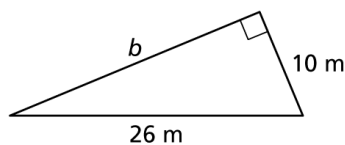


19.



20. 

21.



22.

